

Thank you for purchasing this Autel equipment. Our equipment is manufactured to a high standard and — when used according to these instructions and properly maintained — will provide years of trouble-free performance.

! IMPORTANT:

1. Before operating or maintaining this equipment, please read these instructions carefully, paying extra attention to the safety warnings and precautions. Failure to install or use this equipment properly may cause damage and/or personal injury and will void the product warranty.
2. This guide is a supplement to the MaxiCharger AC Wallbox Installation Manual, and the installation instructions on location selection and wiring, etc. must be adhered to.
3. This guide applies to both the single pedestal and the back-to-back pedestal installation.

! WARNING

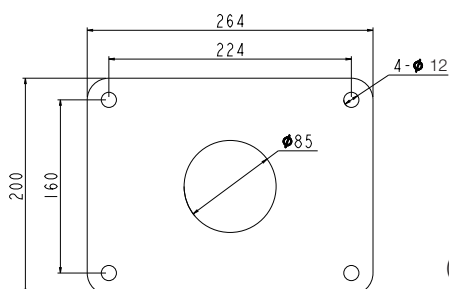
- This equipment should only be installed by a licensed electrician and in accordance with all local codes and ordinances.
- Do not install or use this equipment near flammable, explosive, harsh, or combustible materials, chemicals or vapors.
- Handle the equipment with care during transportation to prevent damage to it or any components. Do not subject it to strong force or impact or pull, twist, tangle, drag or step on the device.
- The respective national regulations must be observed with regard to the installation of the pedestals.
- When mounting the pedestals in parking spaces or parking garages, appropriate anti-collision protection must be provided by the installer.

Preparing for Installation

Foundation Requirements

- A horizontal, level, and sound foundation is required for installation. To ensure safe and permanent anchoring, the concrete strength level should be above C30.
- The base must permit the running off of any water that has entered the base.
- The diameter of the embedded cable should not exceed 80 mm. All cables must be laid precisely in the center of the concrete foundation from the base and must have an excess length of approx. 1.5 m for the remaining installation activities.
- Do not mount the pedestal on asphalt.

NOTE: If you want to construct a concrete foundation, we recommend its size to be 364 x 300 x 100 mm (L x W x D). Alternatively, you can construct the foundation referring to the size of the pedestal base (see diagram below). And the foundation should use the uncracked concrete.



(Unit: mm)

Drilling Holes

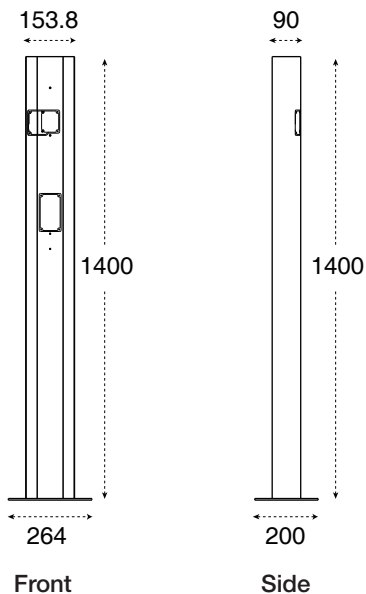
1. Mark the four holes on the concrete foundation using the base plate of the pedestal. Make sure that the connection cable is located precisely underneath the opening in the base plate.
2. Drill the four mounting holes with 12 mm in diameter and minimum 60 mm in depth.

Installing the Pedestal

There are two ways to insert the cable:

- Via the bottom entry opening
- Via the rear entry opening

Product Specifications

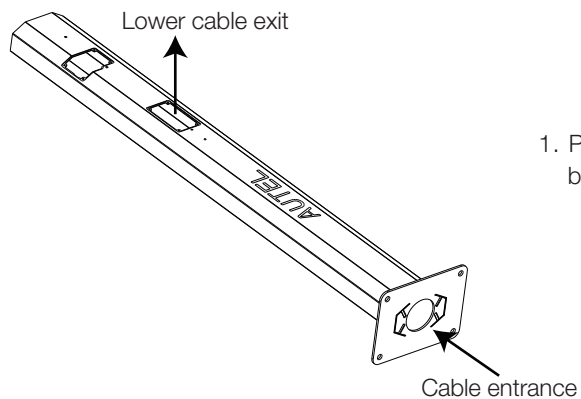


(Unit: mm)

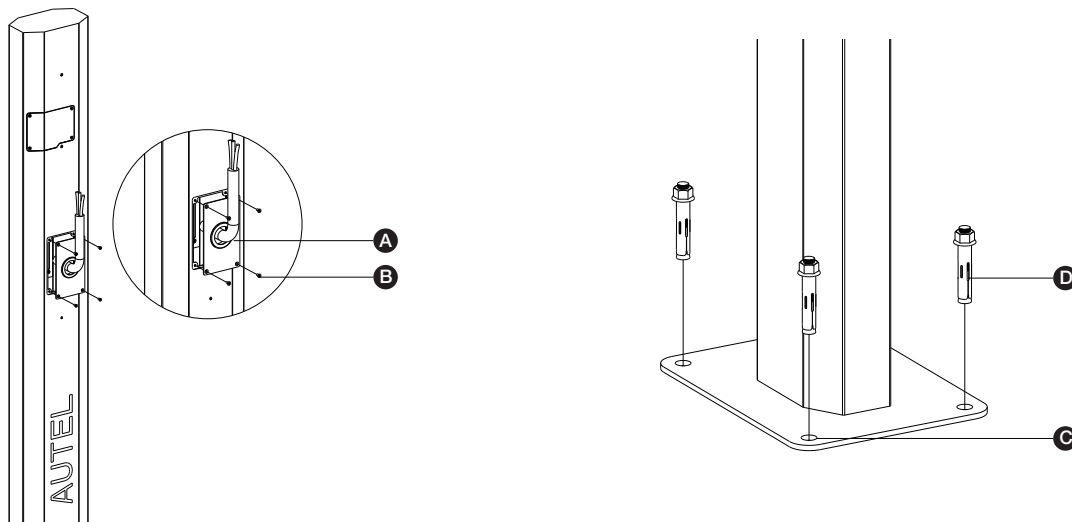
Weight: 7.3 kg

Material: Stainless Steel 304

Bottom Entry Installation



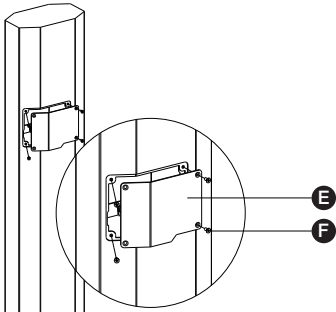
1. Put down the pedestal. Thread the cable through the bottom of the pedestal and out the lower cable exit.



2. Thread the cable through the lower cable exit cover plate (A). Affix the plate to the pedestal by screwing four M3 x 6 screws (B) into the holes. Tighten the screws.

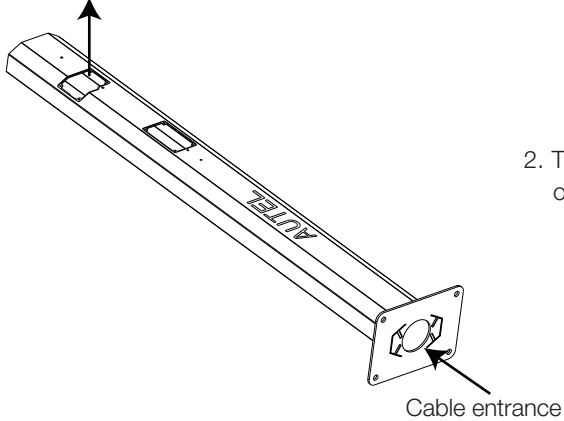
3. Align the pedestal with the four marked mounting holes (C). Install four M10 x 60 bolts (D) into the holes to anchor the pedestal.

Rear Entry Installation

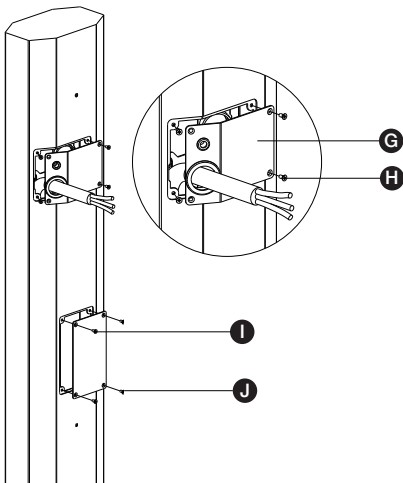


1. Remove the blank upper cover plate (E) from the pedestal by unscrewing the four M3 x 6 screws (F).

Upper cable exit

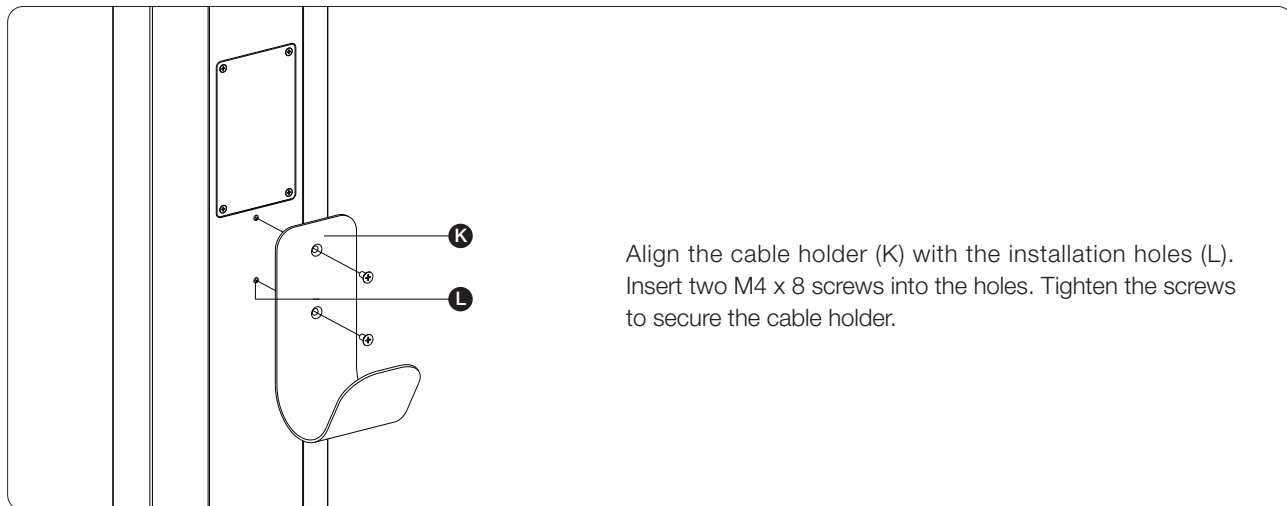


2. Thread the cable through the bottom of the pedestal and out the upper cable exit.

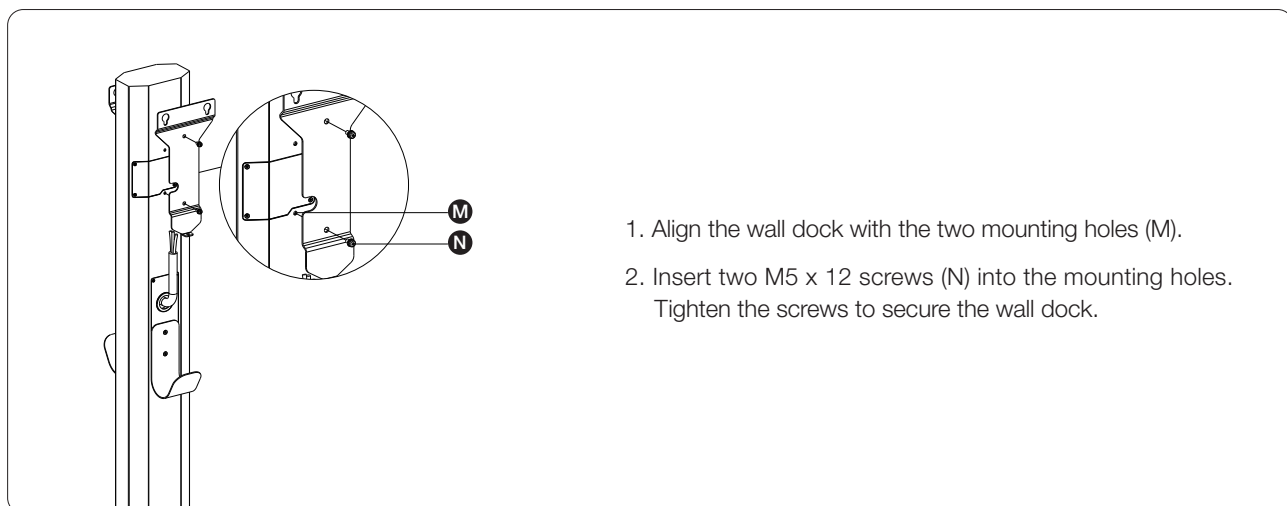


3. Thread the cable through the upper cable exit cover plate (G). Affix the plate to the pedestal by screwing four M3 x 6 screws (H) into the holes. Tighten the screws.
4. Install the blank lower cover plate (I) by screwing four M3 x 6 screws (J) into the holes.
5. See step 3 in Bottom Entry Installation to anchor the pedestal.

Installing the Cable Holder

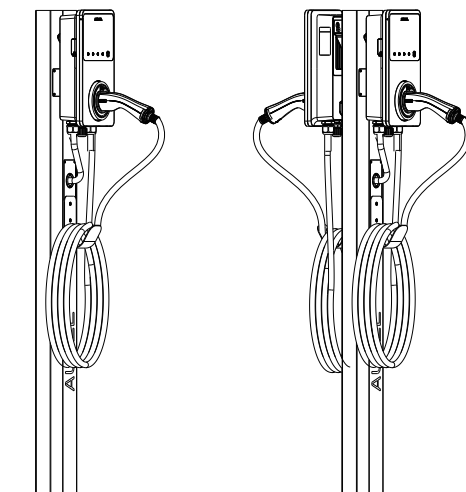


Installing the Wall Dock



Installing the Charging Station

Refer to the Installation Manual for the rest of the installation procedures.



The illustrations in this guide are for reference only.