

# S1000

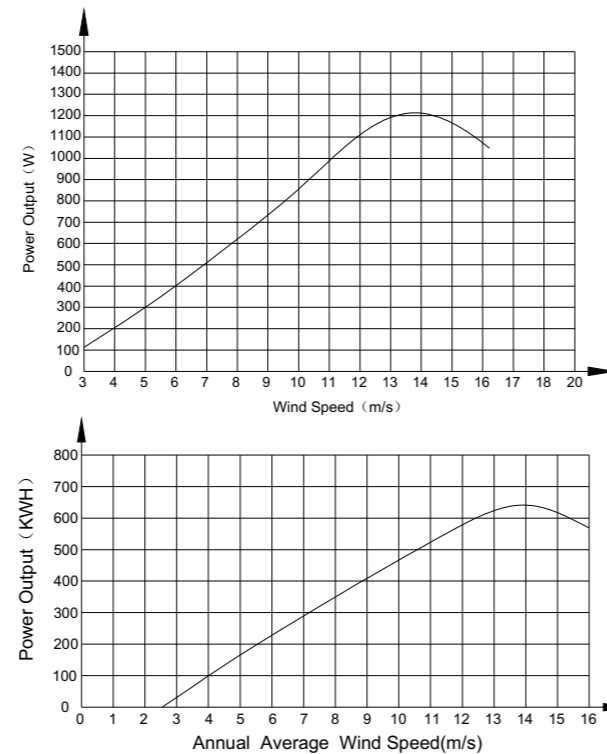
- ◆NSK Bearing , PHELPS DODGE Copper Wire
- ◆Generator with detachable Design,Easy Maintenance
- ◆High efficiency, low noise , high wind speed withstand
- ◆Aluminum Alloy Die casting shell, Stainless steel parts, plastic spray coating,Corrosion resistance, rust prevention,sand, salt, fog safeguard.



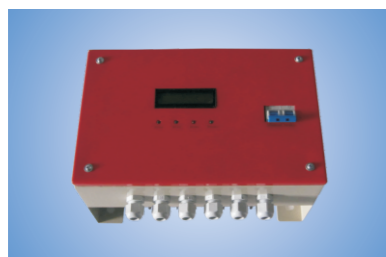
## Technical Data sheet:

| Model                | S-1000                 |
|----------------------|------------------------|
| Rated Output Power   | 1000W                  |
| Max Output Power     | 1200W                  |
| Rotor Diameter (m)   | 2.18m                  |
| Swept Area           | 3.73 sq.m.             |
| Number of blades     | 3                      |
| Blade material       | FRP                    |
| Rated Output Voltage | DC24V / 48V            |
| Rated rotate speed   | 500 rpm                |
| Cut in wind speed    | 3m/s                   |
| Rated wind speed     | 10m/s                  |
| Survival wind speed  | 60m/s                  |
| Generator Type       | 3 Phase PMG            |
| Protection           | Electromagnetic brake  |
| Working Temp.range   | from -40℃ to 60℃       |
| Net Weight           | 28 Kg                  |
| Controller Type      | MPPT                   |
| Certificate          | ISO9001:2008, CE, RoHs |

## 1 KW Power Curve:



## 1 KW Wind-Solar Hybrid Charge Controller& Dumping Load:



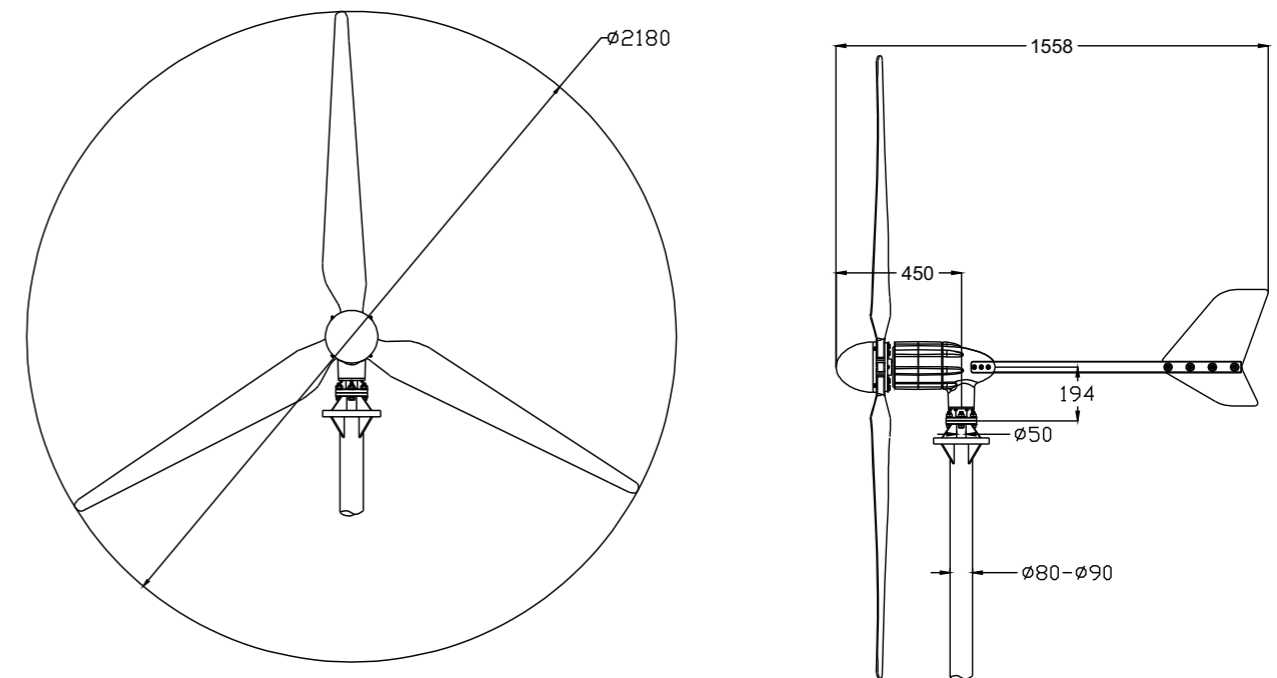
- ◆Multi-stage unloading mode
- ◆MPPT function, Maximum charging power tracking points can set.
- ◆Power,Voltage,Current output& operating state real-time monitoring.
- ◆Overcharge, overload protection
- ◆Automatically unlock function
- ◆America origin industrial level Chip Components,normal operation in Cold& high-temperature environment

## Greatwatt S1000 1KW Power Output Table( Power VS Wind Speed):

| Wind Speed | 3m/s           | 5m/s | 7m/s | 9m/s | 10m/s | 12m/s | 14m/s | 16m/s |       |
|------------|----------------|------|------|------|-------|-------|-------|-------|-------|
| 24V        | Charge Current | 3A   | 10A  | 16A  | 24A   | 27A   | 32A   | 35A   | Brake |
|            | Output Power   | 91W  | 280W | 450W | 682W  | 756W  | 900W  | 1008W |       |

| Wind Speed | 3m/s           | 5m/s | 7m/s | 9m/s | 10m/s | 12m/s | 14m/s | 16m/s |       |
|------------|----------------|------|------|------|-------|-------|-------|-------|-------|
| 48V        | Charge Current | 2A   | 6A   | 9A   | 13A   | 16A   | 18A   | 21A   | Brake |
|            | Output Power   | 108W | 300W | 505W | 740W  | 915W  | 1050W | 1210W |       |

## S1000 1KW Wind Generator Chart:



## S1000 1kw Wind turbine Shipping Info:

Package Carton Size:116\*54\*28cm

Net Weight: 44kgs Gross Weight:48kgs

## Applications:

- ※Home and Residential
- ※Monitoring station
- ※Telecom Base Station
- ※Water Pumping
- ※Solar &Wind Hybrid System
- ※Sea Inland & Remote Cabin